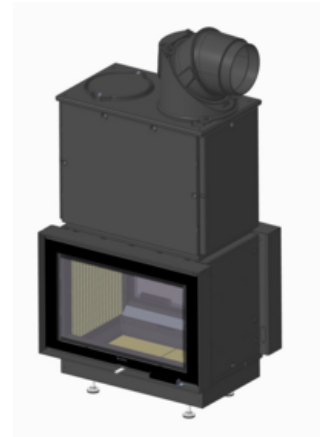




## Appliances properties: LEDA Werk GmbH & Co. KG - Fina 65 DS (S)

### Master data

|   |  |
|---|--|
| <b>Date of entry</b>                              | Apr 28, 2020                               |
| <b>Manufacturer</b>                               | LEDA Werk GmbH & Co. KG                    |
| <b>Model</b>                                      | Fina 65 DS (S)                             |
| <b>Nominal heat output [kW]</b>                   | 10   |
| <b>Declared nominal space heating output [kW]</b> | 10   |
| <b>Continuous burning appliance</b>               | —  |
| <b>Type test standard</b>                         | DIN EN 13229                               |
| <b>Year of testing</b>                            | 2019                                       |
| <b>Test laboratory</b>                            | RRF Rhein-Ruhr-Feuerstättenprüfstelle GmbH |
| <b>Number of test laboratory</b>                  | 2  |
| <b>Number of test report</b>                      | RRF - 29 19 5283-1                         |



### Flue gas values

|                                    | <b>Wood</b> |
|------------------------------------|-------------|
| <b>Flue gas mass flow [g/s]</b>    | 9.7         |
| <b>Flue gas mass flow [g/s]</b>    | 231         |
| <b>Necessary flue draught [Pa]</b> | 15          |

### Further important characteristics of the appliance

**Suitability for installation to a shared flue<sup>1)</sup>**



**Connectivity to the central heating system**



**General technical approval for room sealed operation**



<sup>1)</sup> For unsealed operation it is possible to install the appliances to a shared flue system (please see installation manual).

On behalf of the manufacturer, the HKI Industrieverband e.V. hereby confirms compliance with the respective requirements\* in accordance with 1.BImSchV. The type test report of the fireplace has been submitted to the HKI Industrieverband e.V.

\* A green check mark with a „1“ indicates that the requirements of the 1st BImSchV are fulfilled, a green check mark with a „2“ indicates that the 2nd level of the 1st BImSchV is fulfilled. A yellow check mark shows that the transitional regulation of the 1st BImSchV is fulfilled and a red line means that the 1st BImSchV is not fulfilled.

## Evaluation of emission data and efficiency Wood

| Norm : Inset appliances (with closed firedoor)             | Evaluation   |
|--|--|
| D - 1.BImSchV  | <br>Stufe 2 |
| A - Austrian regulation referred to Art 15a B-VG           | <br>2015    |
| CH - Swiss clean air act                                   |             |
| DK - Danish regulation for air pollution from wood burners |             |
| F - Crédit d'impôt à la transition énergétique             | <br>7★      |

## Evaluation of emission data and efficiency Lignite briquettes

| Norm : Inset appliances (with closed firedoor) | Evaluation |
|--|------------|
| D - 1.BImSchV                                  | !          |

## Emission evaluation legend

---

-  Stufe 2 Compliant with the requirements of the 2nd stage of the 1.BImSchV (only for Germany)
-  Stufe 1 Compliant with the requirements of the 1st stage of the 1.BImSchV (only for Germany)
-  2015 Compliant with the requirements of the Austrian Agreement pursuant to Art. 15a B-VG from 2015 (applies only to Austria)
-  7★ Compliant with the requirements for the „Crédit d'impôt“ promotion in France, the fireplace complies with the classification 7\* of the Flamme Verte Label
-  6★ Compliant with the requirements for the „Crédit d'impôt“ promotion in France, the fireplace complies with the classification 6\* of the Flamme Verte Label
-  5★ Compliant with the requirements for the „Crédit d'impôt“ promotion in France, the fireplace complies with the classification 5\* of the Flamme Verte Label
-  ★ Compliant with the requirements of the 1 star stage in Italy.
-  ★★ Compliant with the requirements of the 2 star stage in Italy.
-  ★★★ Compliant with the requirements of the 3 star stage in Italy.
-  ★★★★ Compliant with the requirements of the 4 star stage in Italy.
-  ★★★★★ Compliant with the requirements of the 5 star stage in Italy.
-  Fulfils the requirements
-  Complies with requirements of the transition ruling (1.BImSchV)
-  Requirements are not fulfilled
-  No information/unknown
-  No measuring values are available for this fuel, operation with this fuel is not permitted

No symbol means that there are no requirements.

Here you will find further information